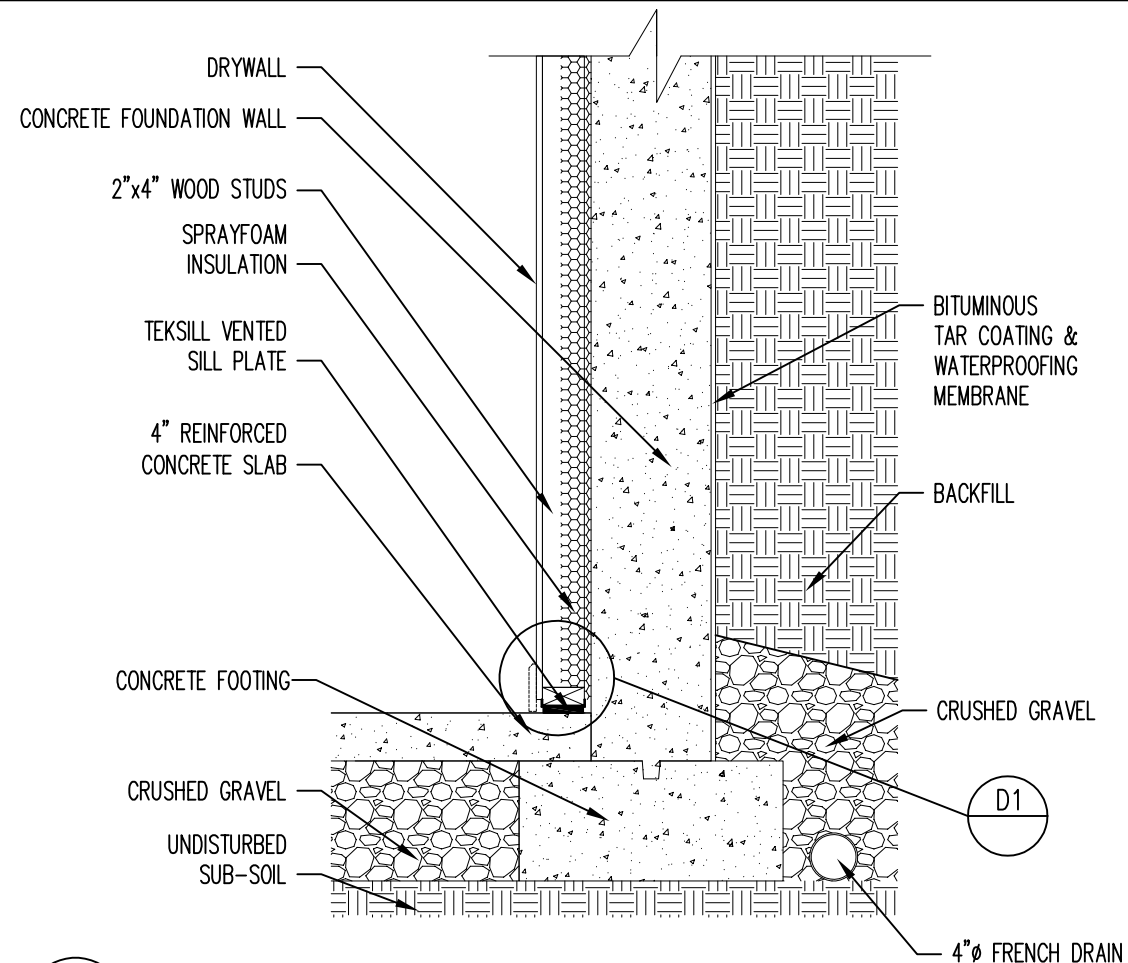
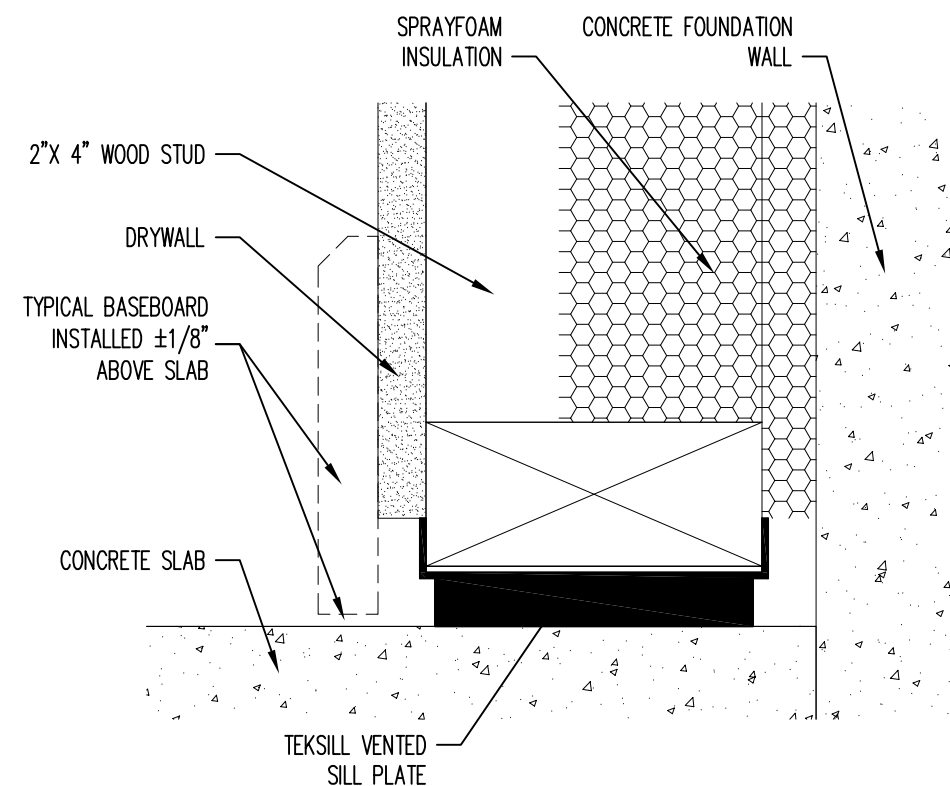


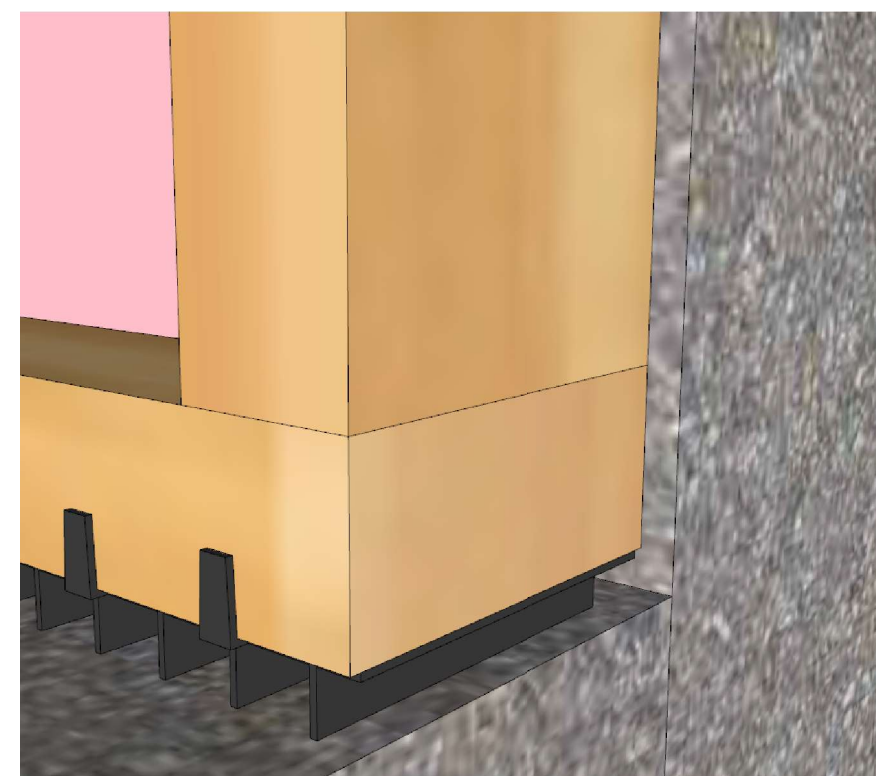
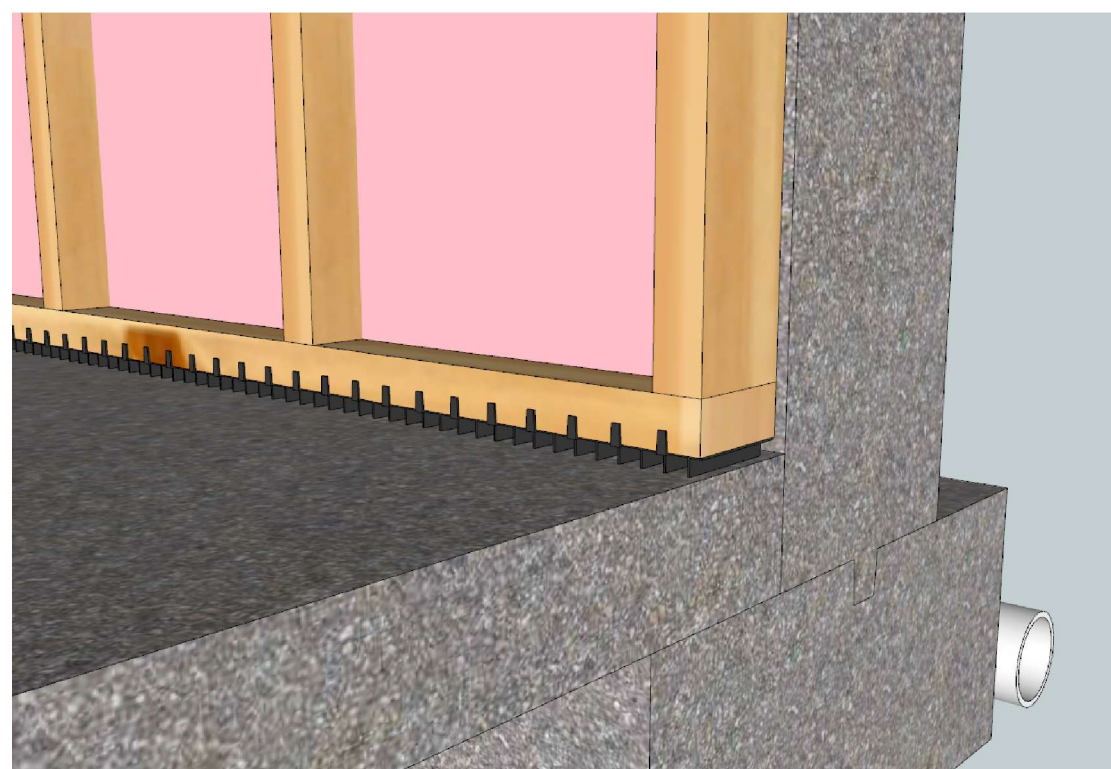
** DO NOT SCALE DRAWING **



TYPICAL TEKSILL BASEMENT APPLICATION
SCALE: 3/4"=1'-0"



D1 DETAIL
SCALE: 6"=1'-0"



RICHARD EDWARDS CONSULTING ENGINEER



MORSINI DESIGN



PROJECT:
TYPICAL BASEMENT RENOVATION

ITEM:
TEKSILL VENTED SILL PLATE DETAILS

AREA: BASEMENT	FLOOR:	SHEET: 1 of 1
DRAWN BY: M. ORSINI	DRAWING N° SK-1	
VERIFIED BY: R. EDWARDS	PROJECT N°	
SCALE: AS NOTED	DATE:	